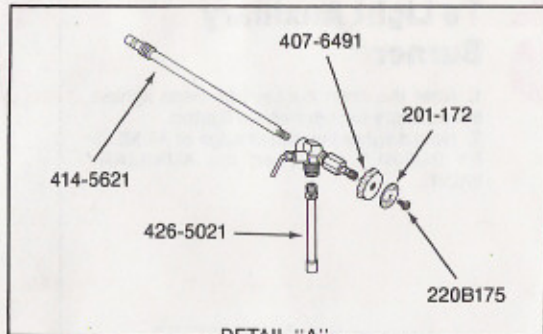


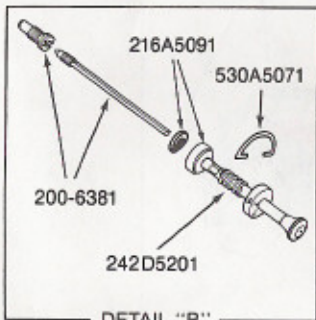
Generator Replacement

If your stove is hard to light or fails to provide full heat output, the generator should be replaced.

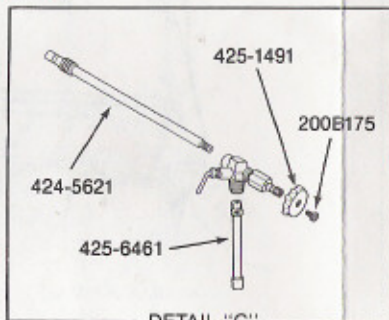
1. Remove tank from stove. Take tank away from flames (including pilot lights) and other ignition sources.
2. Invert tank and securely grip square top of valve in a vise. Using pliers or a pipe wrench, unscrew and discard generator tube and coil.
3. Using pliers, unscrew and discard generator needle.
4. Finger tighten new generator needle into valve. Using pliers, tighten generator needle $\frac{1}{4}$ turn. **DO NOT OVER TIGHTEN.**
5. Slip new coil and generator tube over needle. Wrench tighten generator tube to valve to form a leak-tight joint.
6. Visually check for leaks immediately after lighting.



DETAIL "A"
414-6601



DETAIL "B"
242D5201



DETAIL "C"
424-6601

